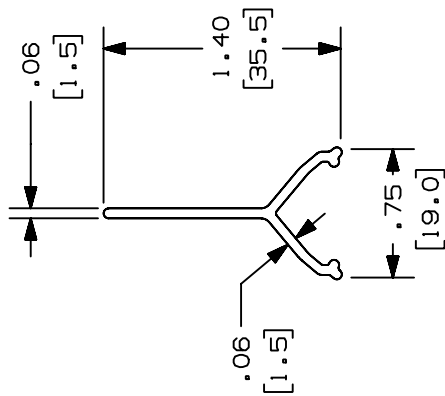


THIS COPY IS PROVIDED ON A RESTRICTED BASIS AND IS NOT TO BE USED IN ANY WAY DETRIMENTAL TO THE INTERESTS OF PANDUIT CORP.

PANDUIT P/N	LENGTH	WEIGHT
T70DW6	72.00 ±.18 (1829 ±4.6)	.44 LB/72 IN (200 G/1829 mm)
T70DW8	96.00 ±.18 (2438 ±4.6)	.59 LB/96 IN (268 G/2438 mm)
T70DW10	120.00 ±.18 (3048 ±4.6)	.73 LB/120 IN (332 G/3048 mm)
T70DW2	78.7 ±.18 (2000 ±4.6)	.48 LB/78.7 IN (218 G/2000 mm)



- NOTES:
- SEE CURRENT CATALOG FOR ADDITIONAL PART SUFFIXES TO INDICATE COLOR AND OR PACKAGE QUANTITY.
  - THE T70DW SNAPS ONTO RAILS IN THE T70 RACEWAY BASE TO CREATE SEPARATE CHANNELS.
  - DIMENSIONS IN PARENTHESIS ARE IN METRIC.

REV	DATE	BY	CHK	DESCRIPTION	ECN	CHK	CUST	SUP
3	05-18-04	JBN	BKR	F. REMOVED T70DW3 PART NUMBER E. REVISED CAD FILE NAME	35541-28	RGRO	RGRO	
2	05-27-99	DW	H1W	D. REVISED WEIGHTS IN CHART C. REVISED PROFILE OF T70DW	35541-28	H1W	H1W	
-	-----	-	---	B. REVISED LENGTH TOLERANCE WAS ±.13 IN.(3.3)	-----	---	---	
1	07-08-98	DW	H1W	A. ADDED T70DW8, T70DW10, T70DW2, AND T70DW3 TO LENGTH AND WEIGHT	35541-28	H1W	H1W	
R	09-19-96	JBA	CEF	RELEASED TO PRODUCTION	35541-28	CEF		
CAD FILENAME/LAYERS					D35541CB_DC-T70DW_02A.PRT			
PANDUIT CORP. TINLEY PARK, ILLINOIS					E			
T70 RACEWAY DIVIDER WALL (T70DW6, T70DW8, T70DW10, T70DW2)					F			
UNLESS OTHERWISE SPECIFIED, DIMENSIONAL TOLERANCES ARE: (.X) ± (.XXX) ±.010(.3) (.XX) ±.03(.8) ANGLES ±					UNLESS OTHERWISE SPECIFIED, ALL DIMENSIONS ARE GIVEN IN INCHES, THIRD ANGLE PROJECTION.			
DRAWN BY: JBA					SCALE: NONE			
DATE: 09-19-96					MATERIAL: PVC			
CHECKED BY: CEF					DRAWING NO.: 35541-28			
					SIZE: A			